

INSTRUCTION MANUAL LED FLOOD LIGHT

SUPER BRIGHT
155+
LM/WATT EFFICIENCY



IP65
RATING

05 **YEAR**
WARRANTY*

TECHNICAL DATA

MODEL	SKU	WATTS	USEFUL LUMEN @WIDE CONE	BEAM ANGLE	LIFE SPAN [HOURS]	DF	CRI	INPUT VOLTAGE	DIMENSION	N.W	MAX MOUNTING HEIGHT	PROJECTED AREA	BODY TYPE	IK RATING
VT-91102	24075 24074	100W	13500 Lm	90°	30,000	≥0.9	>70	AC: 220-240V, 50/60Hz	208x208x96mm	1120g	3m	20-30m ²	Aluminium	IK06
VT-91152	24077 24076	150W	20200 Lm	90°	30,000	≥0.9	>70	AC: 220-240V, 50/60Hz	248x248x96mm	1320g	4m	30-40m ²	Aluminium	IK06
VT-91202	24079 24078	200W	27000 Lm	90°	30,000	≥0.9	>70	AC: 220-240V, 50/60Hz	288x288x96mm	1550g	5m	40-50m ²	Aluminium	IK06

The operating temperature range for these items is -20°C to +40°C.

INTRODUCTION & WARRANTY

Thank you for selecting and buying V-TAC product. V-TAC will serve you the best. Please read these instructions carefully before starting the installing and keep this manual handy for future reference. If you have any another query, please contact our dealer or local vendor from whom you have purchased the product. They are trained and ready to serve you at the best. The warranty is valid for 5 years from the date of purchase. The warranty does not apply to damage caused by incorrect installation or abnormal wear and tear. The company gives no warranty against damage to any surface due to incorrect removal and installation of the product. The products are suitable for 10-12 Hours Daily operation. Usage of product for 24 Hours a day would void the warranty. This product is warranted for manufacturing defects only.



MULTI-LANGUAGE MANUAL QR CODE

Please scan the QR code to access the manual in multiple languages.



FR

Cet appareil, ses accessoires et cordons se recyclent

À DÉPOSER EN MAGASIN

À DÉPOSER EN DÉCHÈTERIE

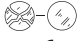

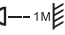


OU



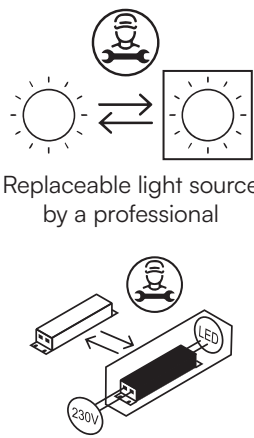
Points de collecte sur www.quefairedemesdechets.fr
Privilégiez la réparation ou le don de votre appareil !

WARNING

- Please make sure to turn off the power before starting the installation.
- Installation must be performed by a qualified electrician.
- The light source contained in this luminaire shall only be replaced by the manufacturer or his service agent or a similar qualified person.
- The external flexible cable or cord of this luminaire cannot be replaced; if the cord is damaged, the luminaire shall be destroyed.
- Terminal block not included.
- Proper grounding should be ensured throughout the installation.
- For outdoor use.
- Replace any cracked protective shield.  
- Minimum distance from lighted objects 1m. 

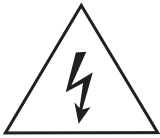
NOTE

- To reduce the risk of strangulation the flexible wiring connected to this luminaire shall be effectively fixed to the wall if the wiring is within arm's reach.
- In order to maintain the IP protection of the product, the cable entry/gland should be installed on the bottom side.



Replaceable light source by a professional

Replaceable control gear by a professional



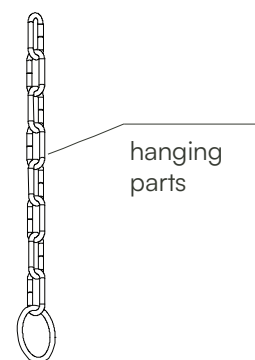
Caution, risk of electric shock.



This marking indicates that this product should not be disposed of with other household wastes.

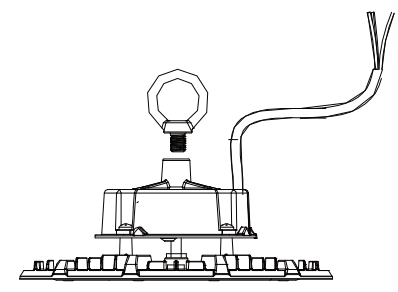
INSTALLATION DIAGRAM

1

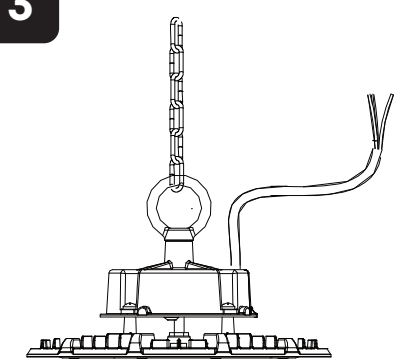


hanging parts

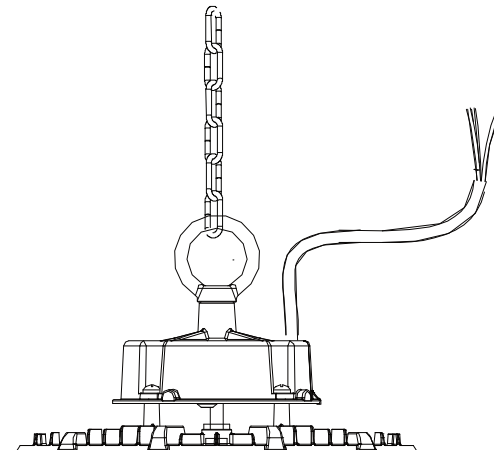
2



3



4



WIRE LENGTH: 300±10mm

WIRING DIAGRAM

Blue			N	
Y./Grn.			⊕	
Brown			L	

INSTALLATION INSTRUCTIONS

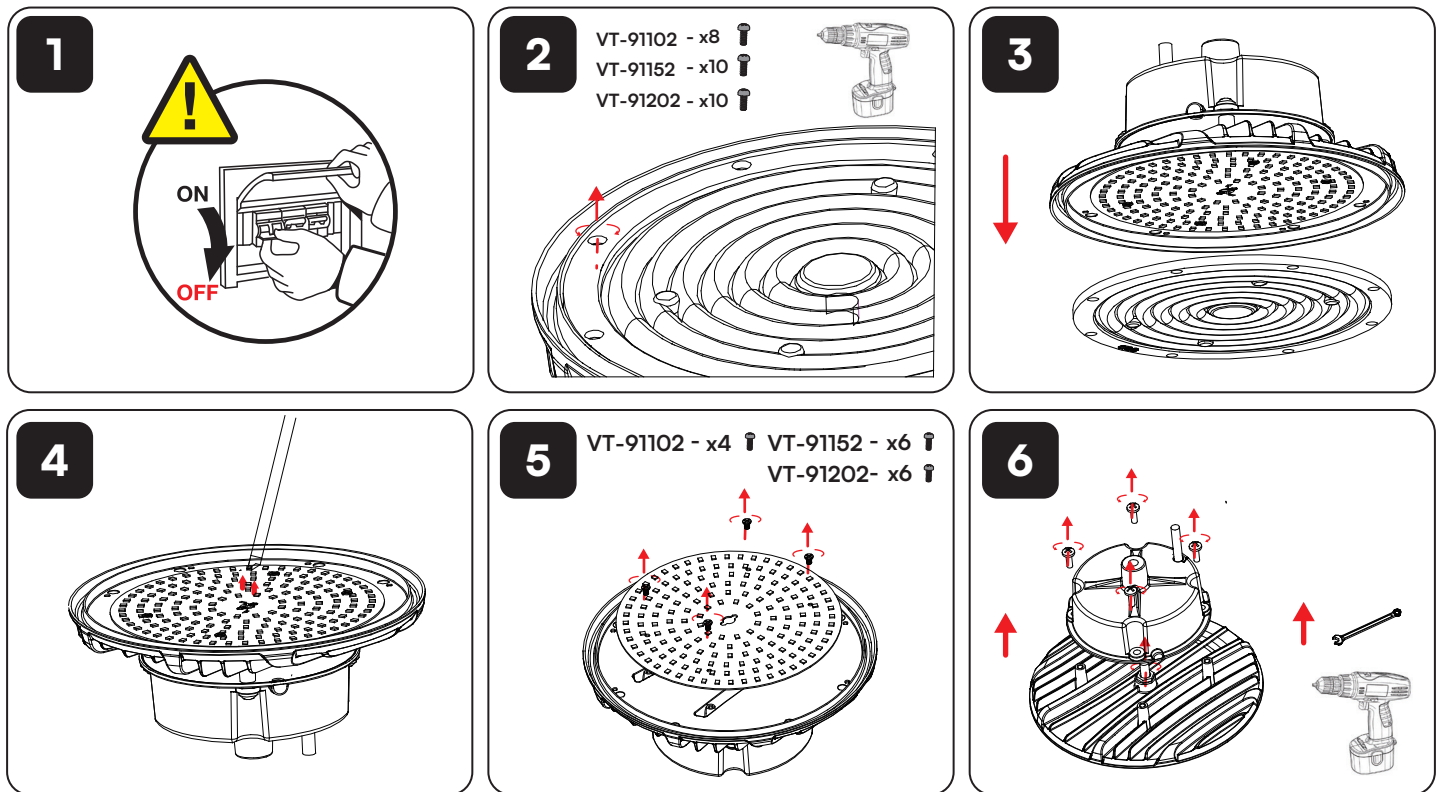
Important: Strictly follow the instructions below during installation. Avoid applying excessive force to the power cable. The supply connection and other external wiring conductors must be at least $3 \times 1.0 \text{ mm}^2$.

- Ensure the power is turned off before starting the installation.
- Install the hanging parts (derrick or chain hoist). Ensure that the hanging parts are strong and securely fixed.
- Attach the hook to the housing of the highbay light.
- Hang the highbay light onto the installed hanging parts.
- Connect the wiring of the highbay light according to the wiring diagram.
- Turn on the power and test the light.

Note: the hanging parts need to be purchased separately!

DISMANTLING INSTRUCTIONS

(For Market surveillance team only)



Note: Light source removal will void the warranty

V-TAC WEST EUROPE LTD. IN CASE OF ANY QUERY/ISSUE WITH THE PRODUCT, PLEASE REACH OUT TO US AT: SUPPORT@V-TAC.EU FOR MORE PRODUCTS RANGE, INQUIRY PLEASE CONTACT OUR DISTRIBUTOR OR NEAREST DEALERS. V-TAC WEST EUROPE LTD. GROUND FLOOR, 71 LOWER BAGGOT STREET, DUBLIN O2, IRELAND DO2 P593

V-TAC UK LTD. IN CASE OF ANY QUERY/ISSUE WITH THE PRODUCT PLEASE REACH OUT TO US AT SUPPORT@VTACEXPORTS.COM V-TAC, 5A TUNGSTEN PARK, DOWNS ROAD, WITNEY, OXFORDSHIRE, OX29 OAX

