

V-TAC

Meaningful Innovation.

INSTRUCTION MANUAL MICROWAVE SENSOR DOME LIGHT

TECHNICAL DATA

MODEL	VT-8178
SKU	24359
DETECTION RANGE	180°/360°
INPUT VOLTAGE	220-240V/AC,50/60Hz
POWER	Max.2x20W,With E27 Holder (Bulb not included)
TIME DELAY	Min. 10sec±3sec Max. 12min±1min
AMBIENT LIGHT	<3-2000LUX (adjustable)
DETECTION DISTANCE	Wall : Max 6m Ceiling : 2-8m(diameter), adjustable
INSTALLATION HEIGHT	Wall : 1-2.5m Ceiling : 2-4m
TRANSMISSION POWER	<0.2mW
HF SYSTEM	24GHz CW radar, ISM band
ADDITIONAL SWITCHING CAPACITY	300W LED
DIMENSION	Ø277x 112.4mm



IP44
RATING

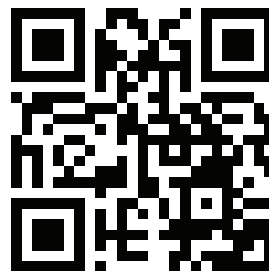
05
YEAR WARRANTY*

INTRODUCTION & WARRANTY

Thank you for selecting and buying V-TAC product. V-TAC will serve you the best. Please read these instructions carefully before starting the installing and keep this manual handy for future reference. If you have any another query, please contact our dealer or local vendor from whom you have purchased the product. They are trained and ready to serve you at the best. The warranty is valid for 5 years from the date of purchase. The warranty does not apply to damage caused by incorrect installation or abnormal wear and tear. The company gives no warranty against damage to any surface due to incorrect removal and installation of the product. The products are suitable for 10-12 Hours Daily operation. Usage of product for 24 Hours a day would void the warranty. This product is warranted for manufacturing defects only.

WARNING

- Please make sure to turn off the power before starting the installation.
- Installation should only be done by a certified electrician.

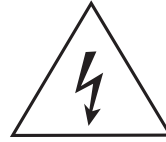


MULTI-LANGUAGE MANUAL QR CODE

Please scan the QR code to access the manual in multiple languages.



This marking indicates that this product should not be disposed of with other household wastes.

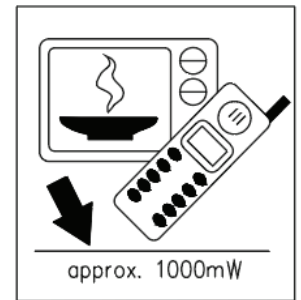
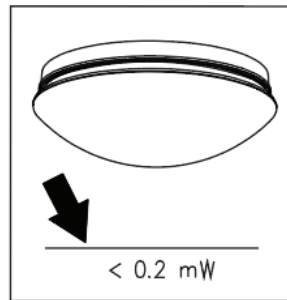


Caution, risk of electric shock.

FUNCTION

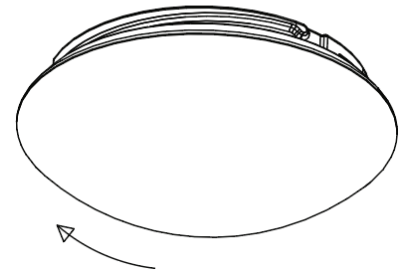
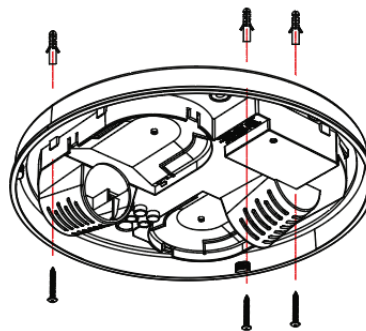
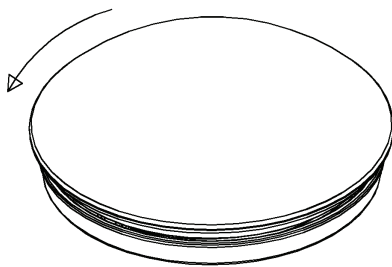
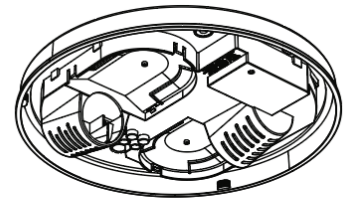
- Can identify day and night: It can work in the daytime and at night when it is adjusted on the “sun” position (max). It can work in the ambient light less than 3LUX when it is adjusted on the “3” position (min). As for the adjustment pattern, please refer to the testing pattern.
- SENS adjustable: It can be adjusted according to using location. The low detection distance could be only 2m and the high sensitivity could be 8m which fits for large room.
- Time-Delay is added continually: When it receives the second induction signals within the first induction, it will restart to time from the moment.
- Time—Delay is adjustable. It can be set according to the consumer’s desire. The minimum time is 10sec±3sec. The maximum is 12min±1min.

NOTE: the high-frequency output of the HF sensor is <math><0.2\text{mW}</math>- that is just one 5000th of the transmission power of a mobile phone or the output of a microwave oven, the baby can't touch it.

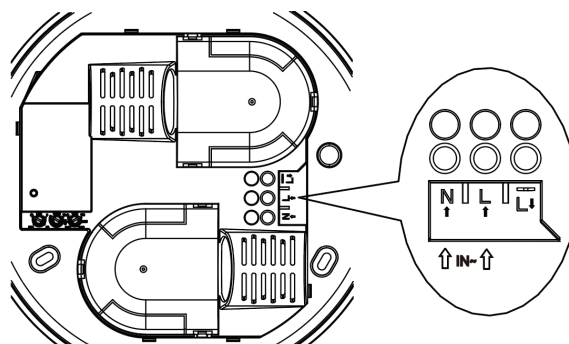


INSTALLATION INSTRUCTIONS

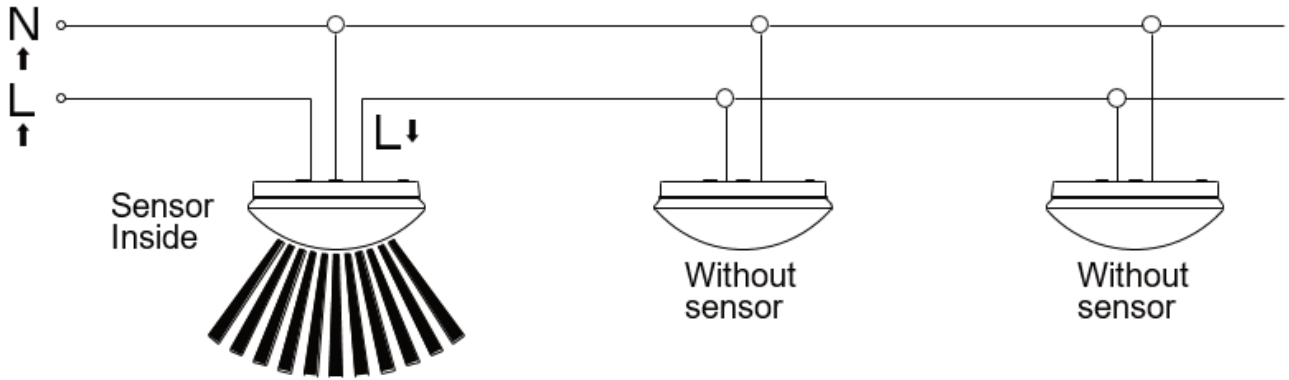
1. Switch off the power supply.
2. Remove the PMMA cover by turning it anti-clockwise.
3. Pass the wire through the rubber grommet in the bottom pan and connect it to the terminal according to the wiring diagram.
4. Fix the base to the ceiling using the holes in the bottom pan and the supplied expansion screws.
5. Switch on the power and test the unit.



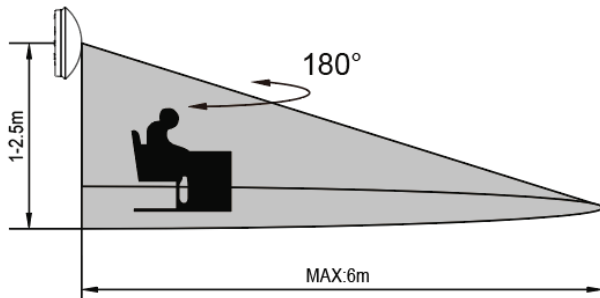
WIRING DIAGRAM



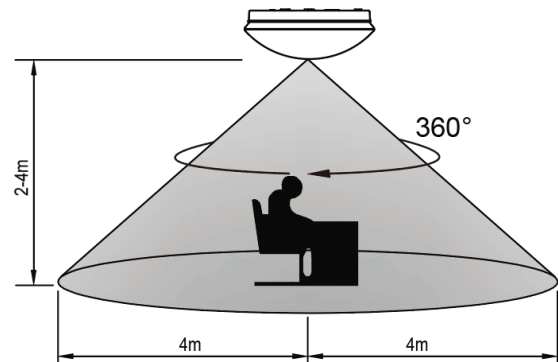
Another way as follow if connecting with other lamp



SENSOR INFORMATION



Height of installation: 1-2.5m (wall mounting)

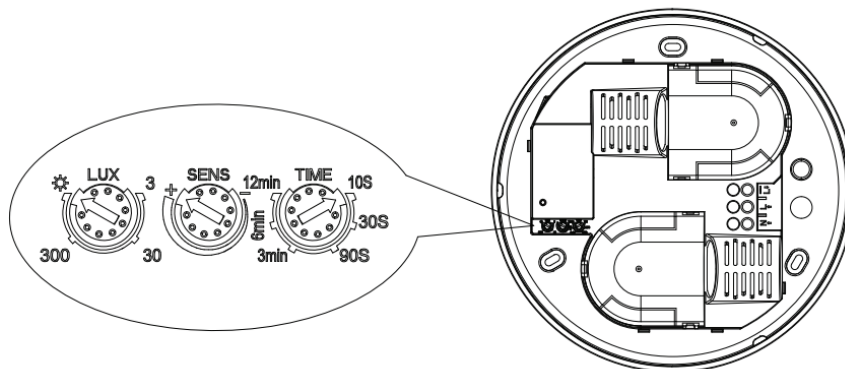


Height of installation: 2-4m (ceiling mounting)

TEST

- Turn the LUX knob clockwise on the maximum (sun). Turn the SENS knob clockwise on the maximum (+). Turn the TIME knob anti-clockwise on the minimum (10s).
- When you switch on the power, the light will be on at once. And $10\text{sec} \pm 3\text{sec}$ later the light will be off automatically. Then if the sensor receives induction signal again, it can work normally.
- When the detection distance is less than 4m, it can detect human movement or human breathing and keep the light turn on continuously, when the detection distance is too far away and there is no other movement after the set time, the light will go out.
- When the sensor receives the second induction signals within the first induction, it will restart to time from the moment.
- Turn LUX knob anti-clockwise on the minimum (3). If the ambient light is less than 3LUX (darkness), the inductive load could work when it receives induction signal.

Note: when testing in daylight, please turn LUX knob to ☀ (SUN) position, otherwise the sensor lamp could not work!



NOTES

- Electrician or experienced human can install it.
- Can not be installed on the uneven and shaky surface.
- In front of the sensor there shouldn't be obstructive object affecting detection.
- Avoid installing it near the metal and glass which may affect the sensor.
- For your safety, please don't open the case if you find hitch after installation.

TROUBLESHOOTING

- **The load don't work**

- a. Check the power and the load.
- b. Please check if the working voltage corresponds to the power source.

- **The sensitivity is poor**

- a. Please check the ambient temperature
- b. Please check if the signal source is in the detection fields.
- c. Please check the installation height.

- **The sensor can't shut automatically the load**

- a. If there are continual signals in the detection fields.
- b. If the time delay is set to the longest.
- c. If the power corresponds to the instruction.



V-TAC WEST EUROPE LTD. IN CASE OF ANY QUERY/ISSUE WITH THE PRODUCT, PLEASE REACH OUT TO US AT:
SUPPORT@V-TAC.EU FOR MORE PRODUCTS RANGE, INQUIRY PLEASE CONTACT OUR DISTRIBUTOR OR NEAREST DEALERS.
V-TAC WEST EUROPE LTD. GROUND FLOOR, 71 LOWER BAGGOT STREET, DUBLIN 02, IRELAND D02 P593

V-TAC UK LTD. IN CASE OF ANY QUERY/ISSUE WITH THE PRODUCT PLEASE REACH OUT TO US AT
SUPPORT@VTACEXPORTS.COM V-TAC, 5A TUNGSTEN PARK, DOWNS ROAD, WITNEY, OXFORDSHIRE, OX29 OAX
