

V-TAC

Meaningful Innovation.

INSTRUCTION MANUAL

INFRARED MOTION SENSOR

TECHNICAL DATA

MODEL	VT-8153
SKU	24355
INPUT VOLTAGE	AC: 220-240V, 50/60Hz
AMBIENT LIGHT	<3-2000LUX (adjustable)
TIME DELAY	Min.10sec±3sec Max. 15min±2min
RATED LOAD	800W (Traditional Lighting) 400W (LED Lighting)
DETECTION RANGE	360°
DETECTION DISTANCE	6m max(<24°C)
WORKING TEMPERATURE	-20~+40°C
WORKING HUMIDITY	<93%RH
INSTALLING HEIGHT	2.2-4M
POWER CONSUMPTION	Approx 0.5W
DETECTION MOTION SPEED	0.6-1.5m/s
IP RATING	IP20



COMPATIBLE WITH

V-TAC LED
RANGE [UPTO 400W]

05 YEAR
WARRANTY*

INTRODUCTION

Thank you for selecting and buying V-TAC product. V-TAC will serve you the best. Please read these instructions carefully before starting the installation and keep this manual handy for future reference. If you have any another query, please contact our dealer or local vendor from whom you have purchased the product. They are trained and ready to serve you at the best. The warranty is valid for 5 years from the date of purchase. The warranty does not apply to damage caused by incorrect installation or abnormal wear and tear. The company gives no warranty against damage to any surface due to incorrect removal and installation of the product.

WARNING

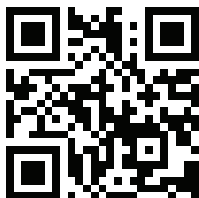
- Please make sure to turn off the power before starting the installation.
- Installation should only be done by a certified electrician.
- For indoor use only.



This marking indicates that this product should not be disposed of with other household wastes.



Caution, risk of electric shock.



MULTI-LANGUAGE MANUAL QR CODE

Please scan the QR code to access the manual in multiple languages.



FR

Cet appareil, ses accessoires et cordons se recyclent

À DÉPOSER
EN MAGASIN



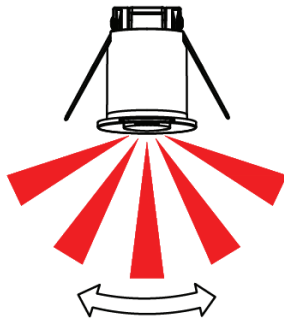
À DÉPOSER
EN DÉCHÈTERIE



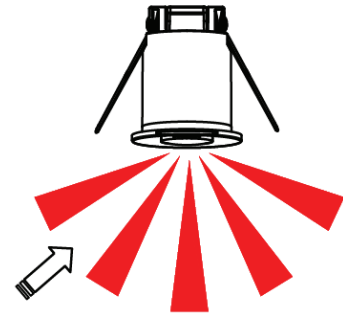
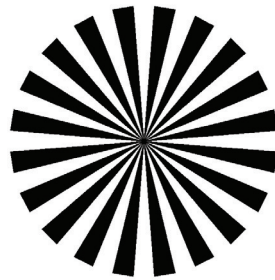
Points de collecte sur www.quefairedemesdechets.fr
Privilégiez la réparation ou le don de votre appareil !

FUNCTION

- Can identify day and night: The consumer can adjust working state in different ambient light. It can work in the daytime and at night when it is adjusted on the “sun” position (max). It can work in the ambient light less than 3LUX when it is adjusted on the “3” position (min). As for the adjustment pattern, please refer to the testing pattern.
- Time-Delay is added continually: When it receives the second induction signals within the first induction, it will restart to time from the moment.



Good sensitivity

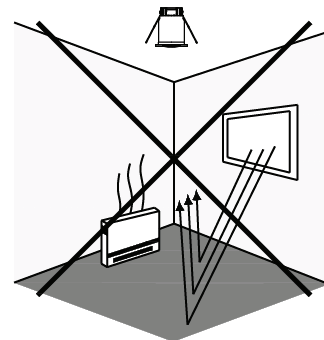
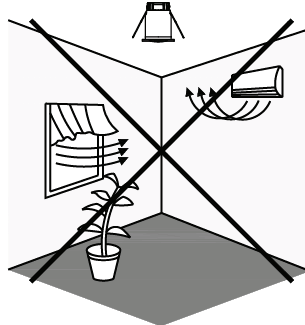
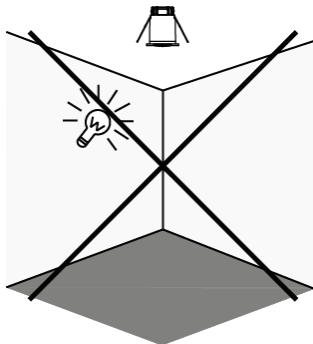


Poor sensitivity

INSTALLATION ADVICE

As the detector responds to changes in temperature, avoid the following situations:

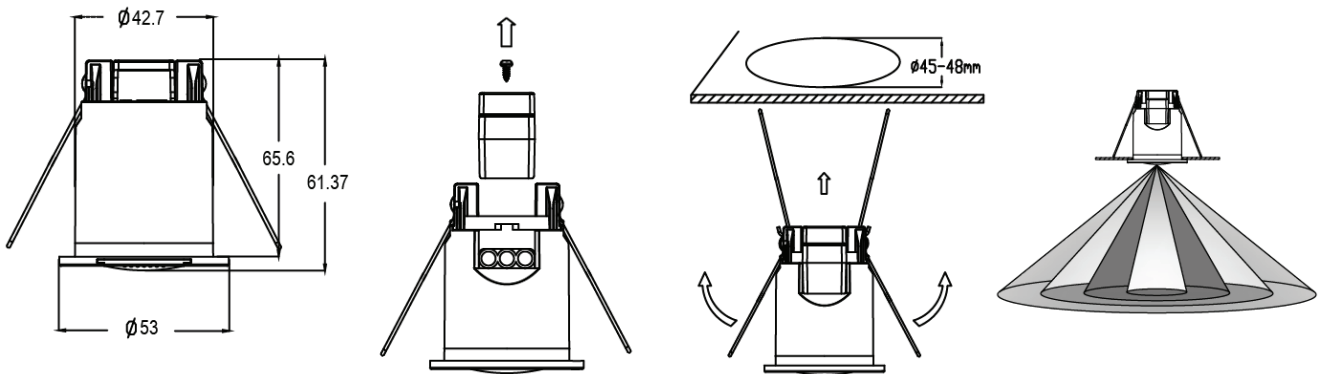
- Avoid pointing the detector towards objects with highly reflective surfaces, such as mirrors etc.
- Avoid mounting the detector near heat sources, such as heating vents, air conditioning units, light etc.
- Avoid pointing the detector towards objects that may move in the wind, such as curtains, tall plants etc.



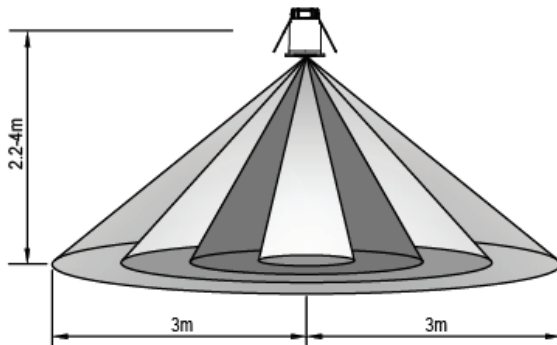
INSTALLATION INSTRUCTIONS

- Switch off the power supply.
 - Remove the transparent cover.
 - Connect the power wires to the sensor's terminal according to the wiring diagram.
 - Reinstall the transparent cover in its original position.
 - Fold the sensor's metal spring upward, place the sensor into the appropriate hole or installation box, and release the spring to secure it in place.
 - After installation is complete, turn on the power and perform a functional test.
-

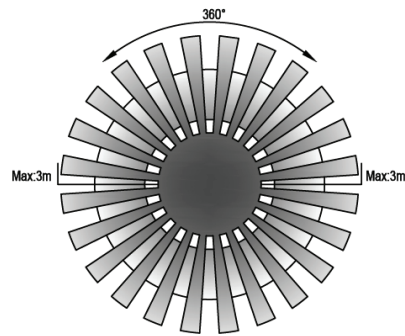
INSTALLATION DIAGRAM



SENSOR INFORMATION

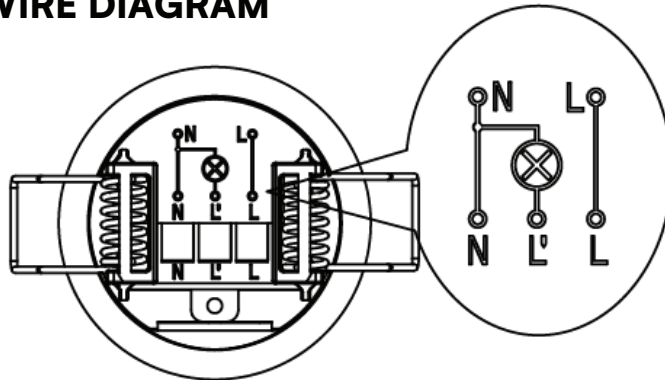


Height of installation: 2.2-4m



Detection Distance: Max.8m

CONNECTION-WIRE DIAGRAM



TEST

- Turn the LUX knob clockwise on the maximum (sun). Turn the TIME knob anti-clockwise on the minimum (10s).
- Switch on the power; the sensor and its connected lamp will have no signal at the beginning. After Warm-up 30sec, the sensor can start work. If the sensor receives the induction signal, the lamp will turn on. While there is no another induction signal any more, the load should stop working within $10\text{sec} \pm 3\text{sec}$ and the lamp would turn off.
- Turn LUX knob anti-clockwise on the minimum (3). If the ambient light is more than 3LUX, the sensor would not work and the lamp stop working too. If the ambient light is less than 3LUX (darkness), the sensor would work. Under no induction signal condition, the sensor should stop working within $10\text{sec} \pm 3\text{sec}$.

Note: when testing in daylight, please turn LUX knob to ☀ (SUN) position, otherwise the sensor lamp could not work!

TROUBLESHOOTING

- **The load does not work**

- a. Please check if the connection of power source and load is correct.
- b. Please check if the load is good.
- c. Please check if the settings of working light correspond to ambient light.

- **The sensitivity is poor**

- a. Please check if there is any hindrance in front of the detector to affect it to receive the signals.
- b. Please check if the ambient temperature is too high.
- c. Please check if the induction signal source is in the detection field.
- d. Please check if the installation height corresponds to the height required in the instruction.
- e. Please check if the moving orientation is correct.

- **The sensor can not shut off the load automatically**

- a. Please check if there is continual signal in the detection field.
- b. Please check if the time delay is set to the maximum position
- c. Please check if the power corresponds to the instruction.



V-TAC WEST EUROPE LTD. IN CASE OF ANY QUERY/ISSUE WITH THE PRODUCT, PLEASE REACH OUT TO US AT:
SUPPORT@V-TAC.EU FOR MORE PRODUCTS RANGE, INQUIRY PLEASE CONTACT OUR DISTRIBUTOR OR NEAREST DEALERS.
V-TAC WEST EUROPE LTD. GROUND FLOOR, 71 LOWER BAGGOT STREET, DUBLIN O2, IRELAND DO2 P593

V-TAC UK LTD. IN CASE OF ANY QUERY/ISSUE WITH THE PRODUCT PLEASE REACH OUT TO US AT
SUPPORT@VTACEXPORTS.COM V-TAC, 5A TUNGSTEN PARK, DOWNS ROAD, WITNEY, OXFORDSHIRE, OX29 OAX